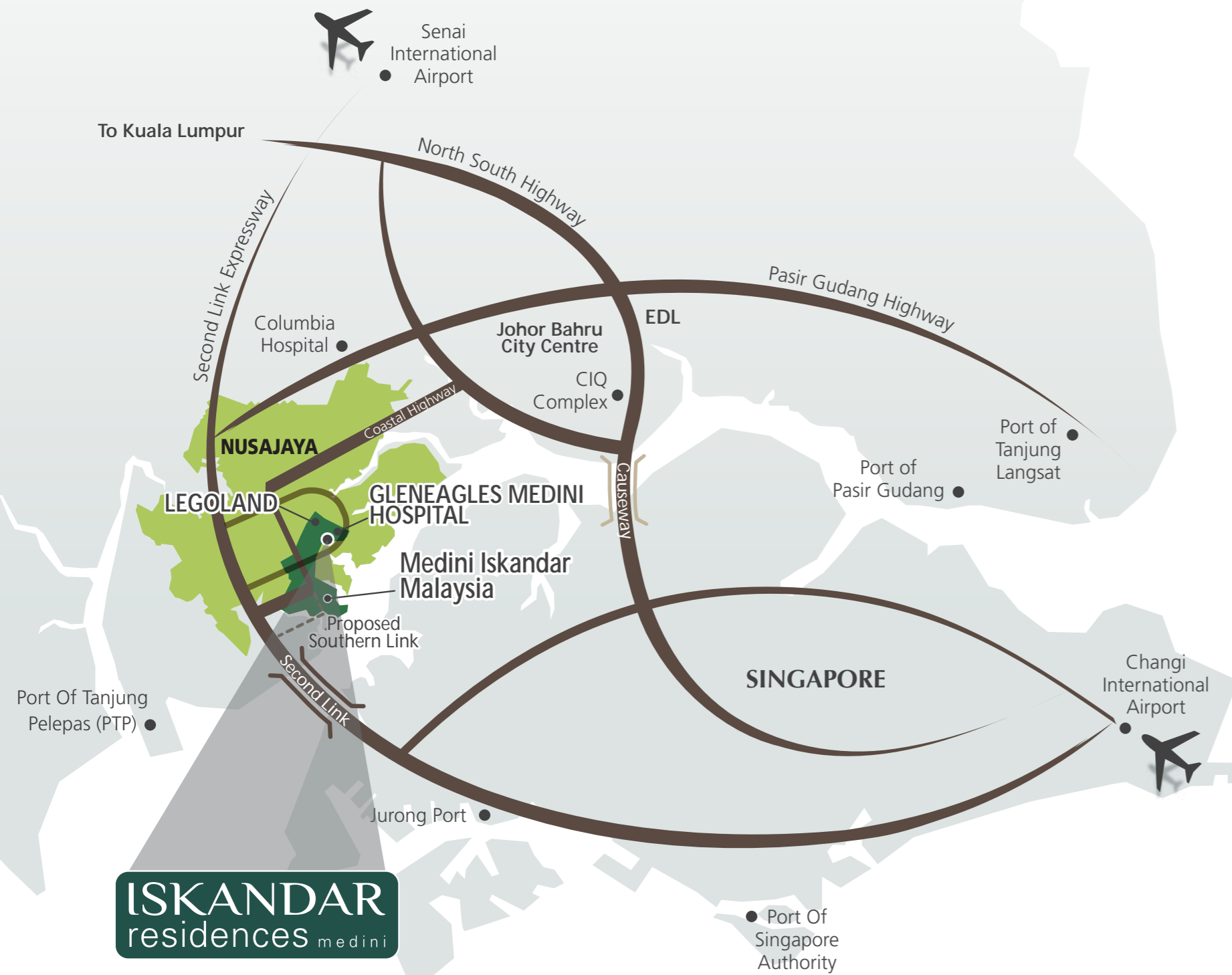


LOCATION MAP



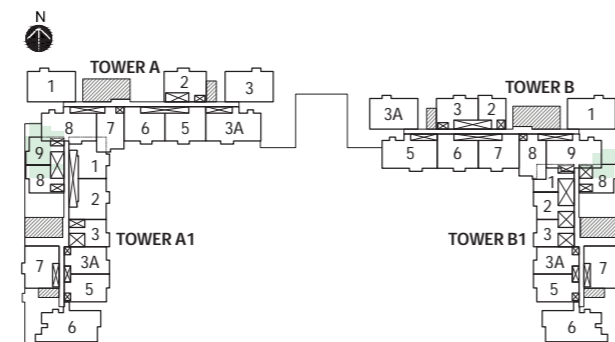
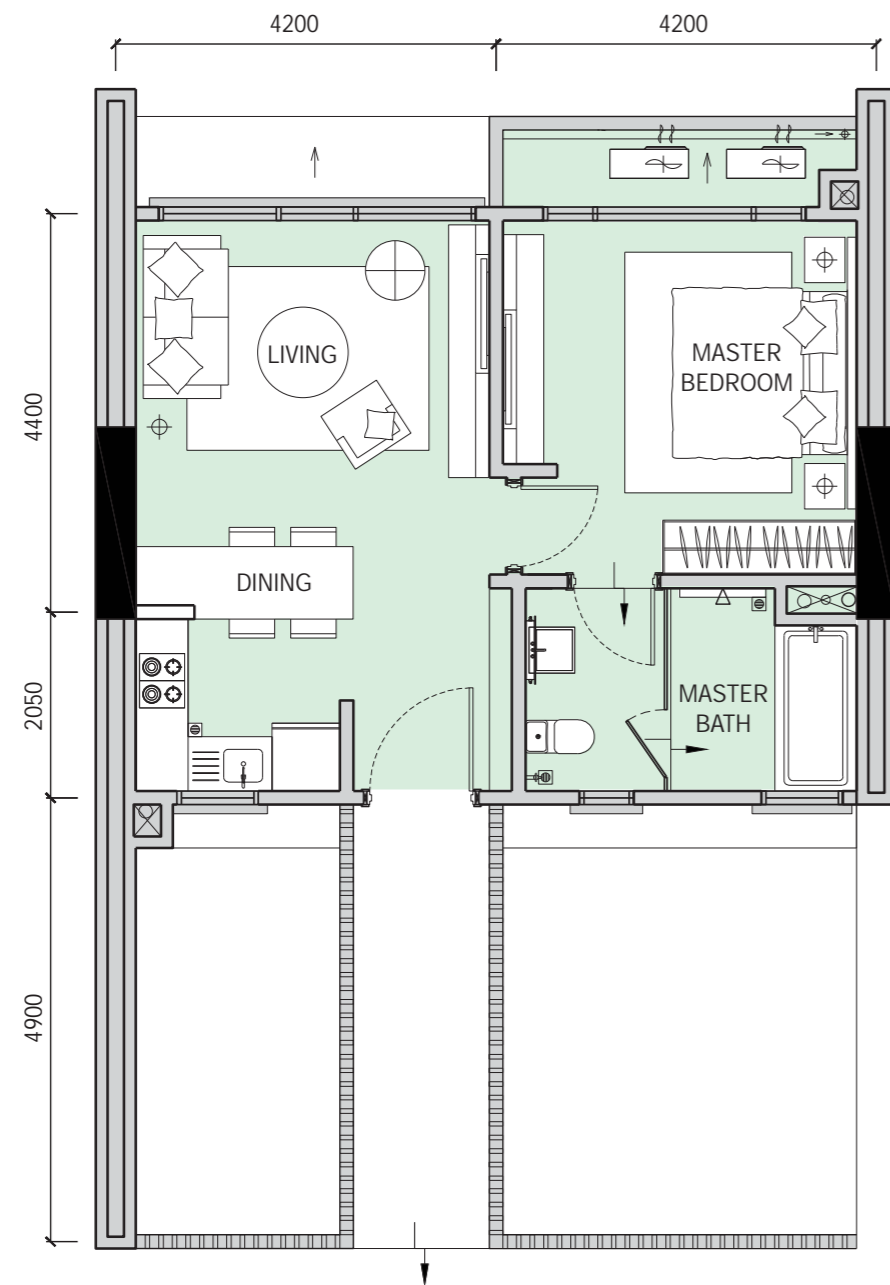
SITE PLAN



- | | |
|---|--------------------------|
| 1 GUARD HOUSE | 11 JACUZZI |
| 2 SHOPS - MINIMART, LAUNDRETTE, CAFE | 12 BBQ AREA |
| 3 MAIN DROP-OFF | 13 ENTERTAINMENT TERRACE |
| 4 RECEPTION, MANAGEMENT OFFICE | 14 CHANGING ROOMS |
| 5 VISITOR'S CARPARK | 15 NURSERY |
| 6 GYMNASIUM, FUNCTION HALL/ BADMINTON COURT | 16 GARDEN |
| 7 KIDS POOL | 17 SQUASH COURTS |
| 8 35M INFINITY POOL | 18 CHILDREN PLAYGROUND |
| 9 50M INFINITY POOL | 19 YOUTH PLAYGROUND |
| 10 POOL DECK | 20 JOGGING TRACK |

TYPE A (1 BEDROOM)

63 sq m (678 sq ft)



Note:

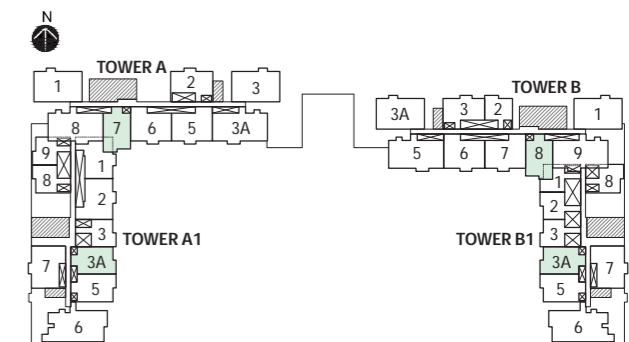
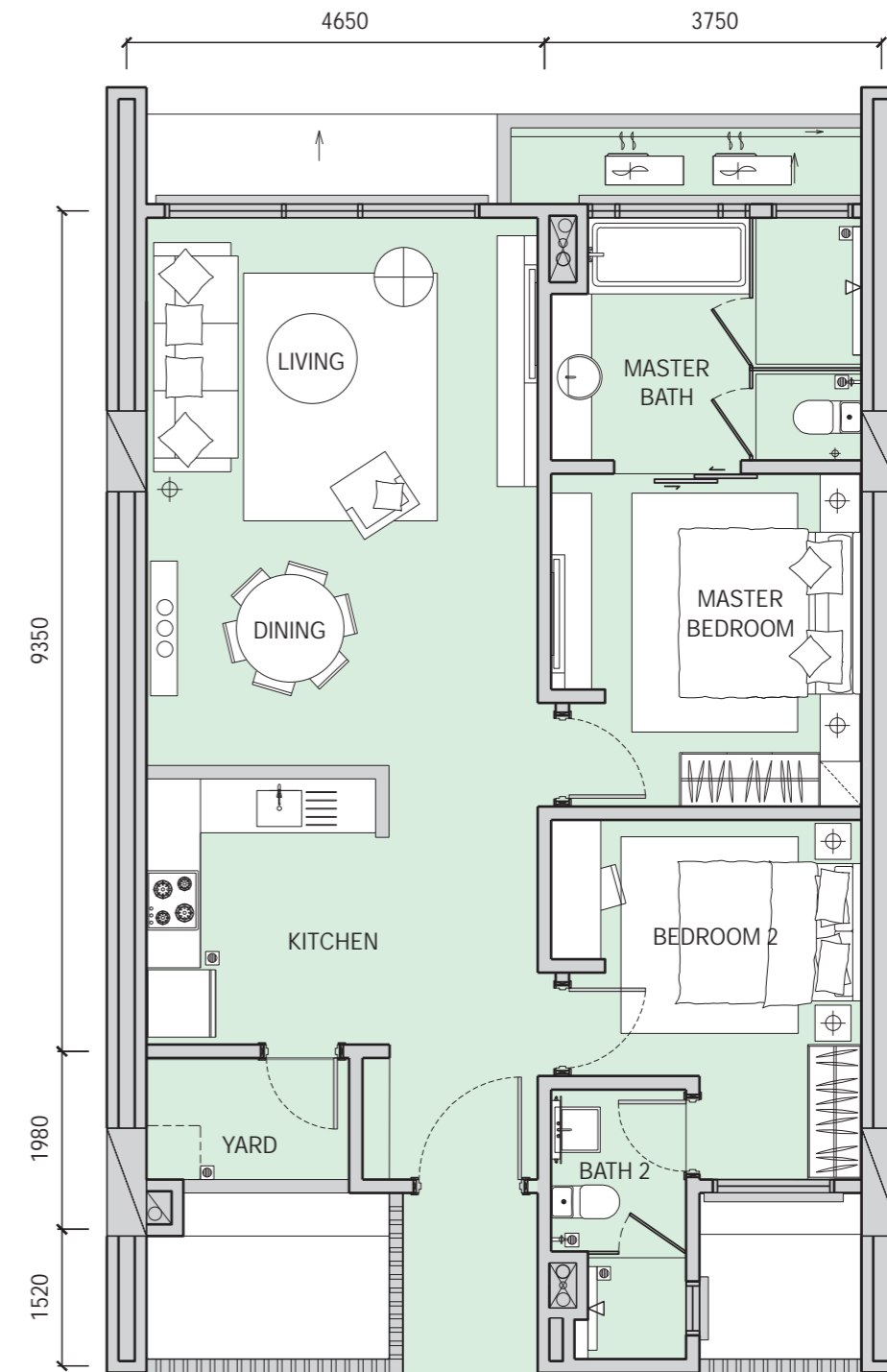
Tower A1 - Unit 3 : level 05-10
 Tower B1 - Unit 1, 2 & 3 : level 01-10

TYPE A1 - 61 sq m (657 SQFT)

Tower A1 - Unit 8 & 9 : level 01-10
 Tower B1 - Unit 6 : level 01-10

TYPE B (2 BEDROOMS)

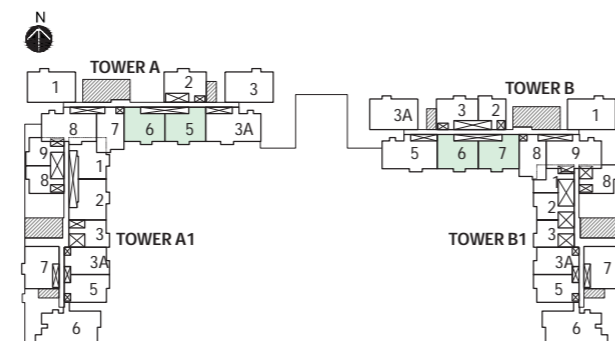
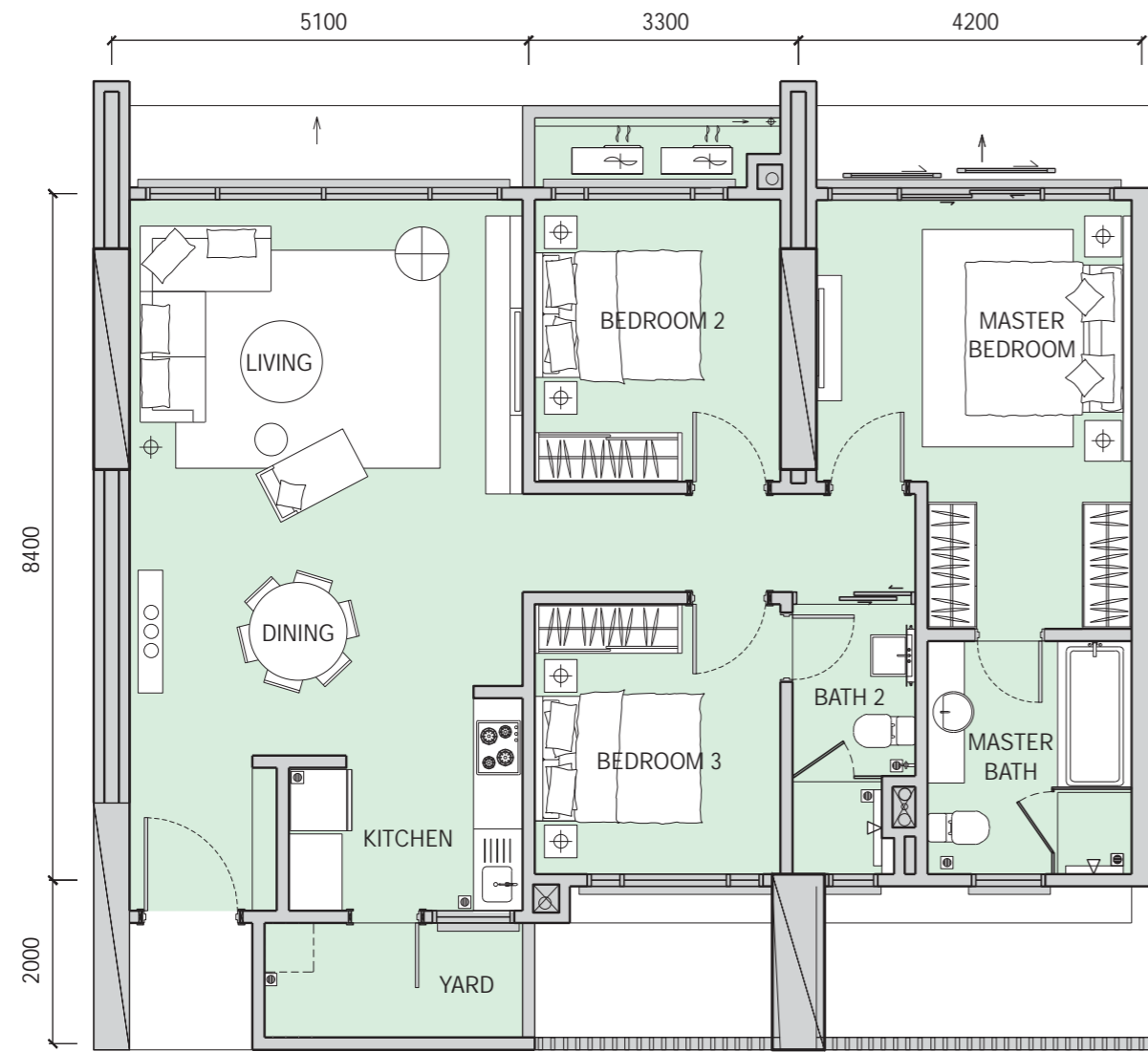
98 sq m (1055 sq ft)



Note:

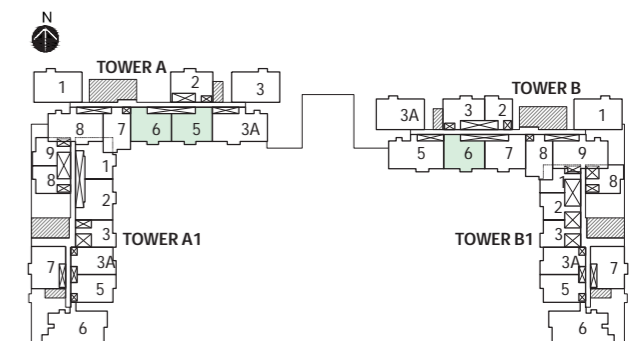
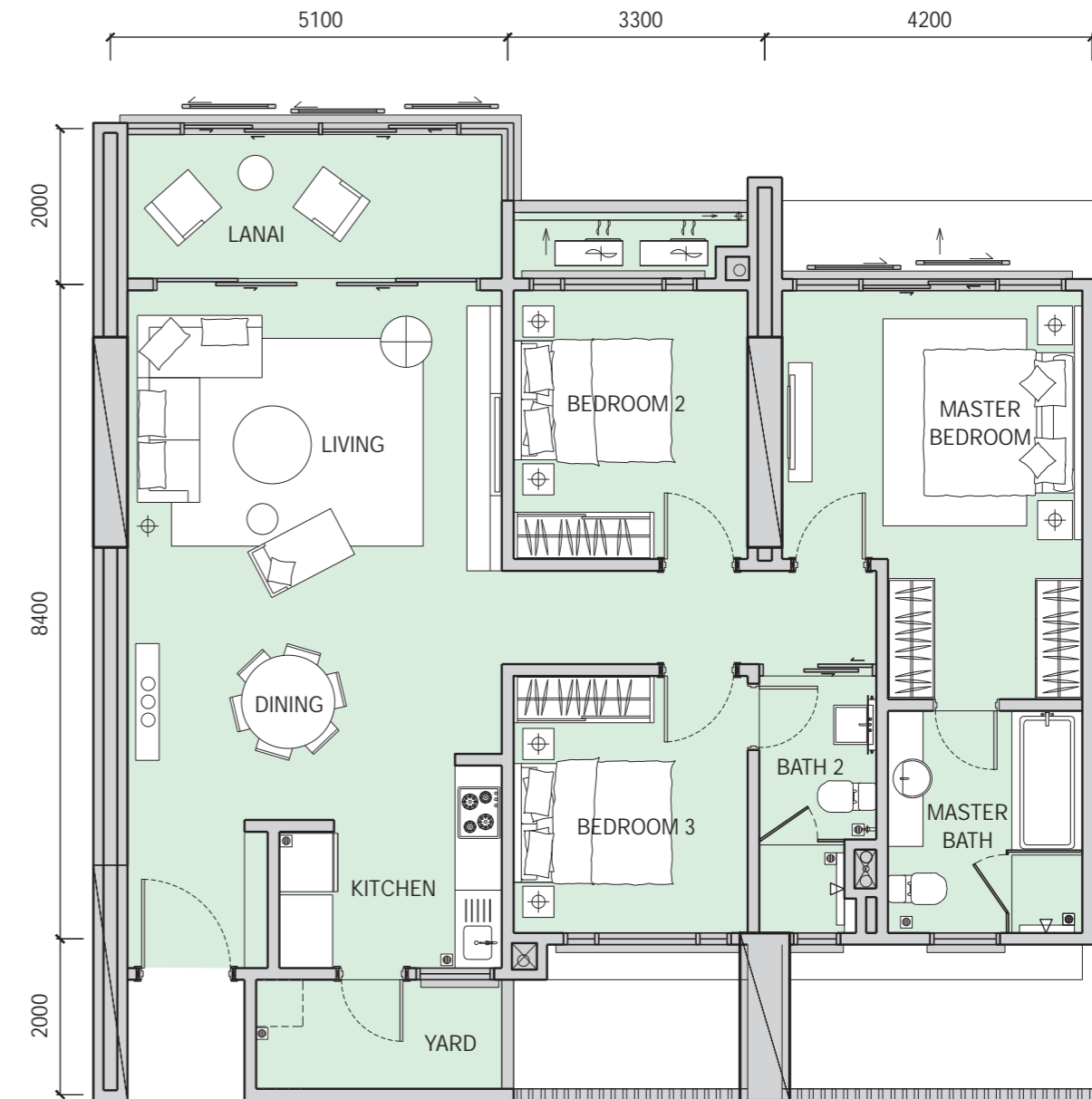
Tower A : level 15-38
 Tower A1 : level 01-10
 Tower B : level 15-27
 Tower B1 : level 01-10

TYPE C (3 BEDROOMS)
116 sq m (1249 sq ft)



Note:
Tower A - Unit 5 : level 01-05 & level 16-38
Unit 6 : level 01-23 & level 33A-38
Tower B - Unit 6 : level 01-05 & level 16-38
Unit 7 : level 03A-27

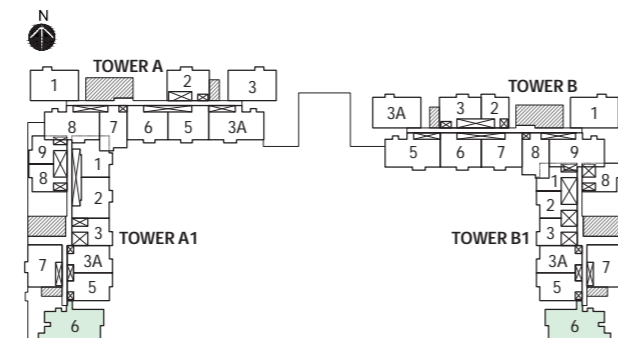
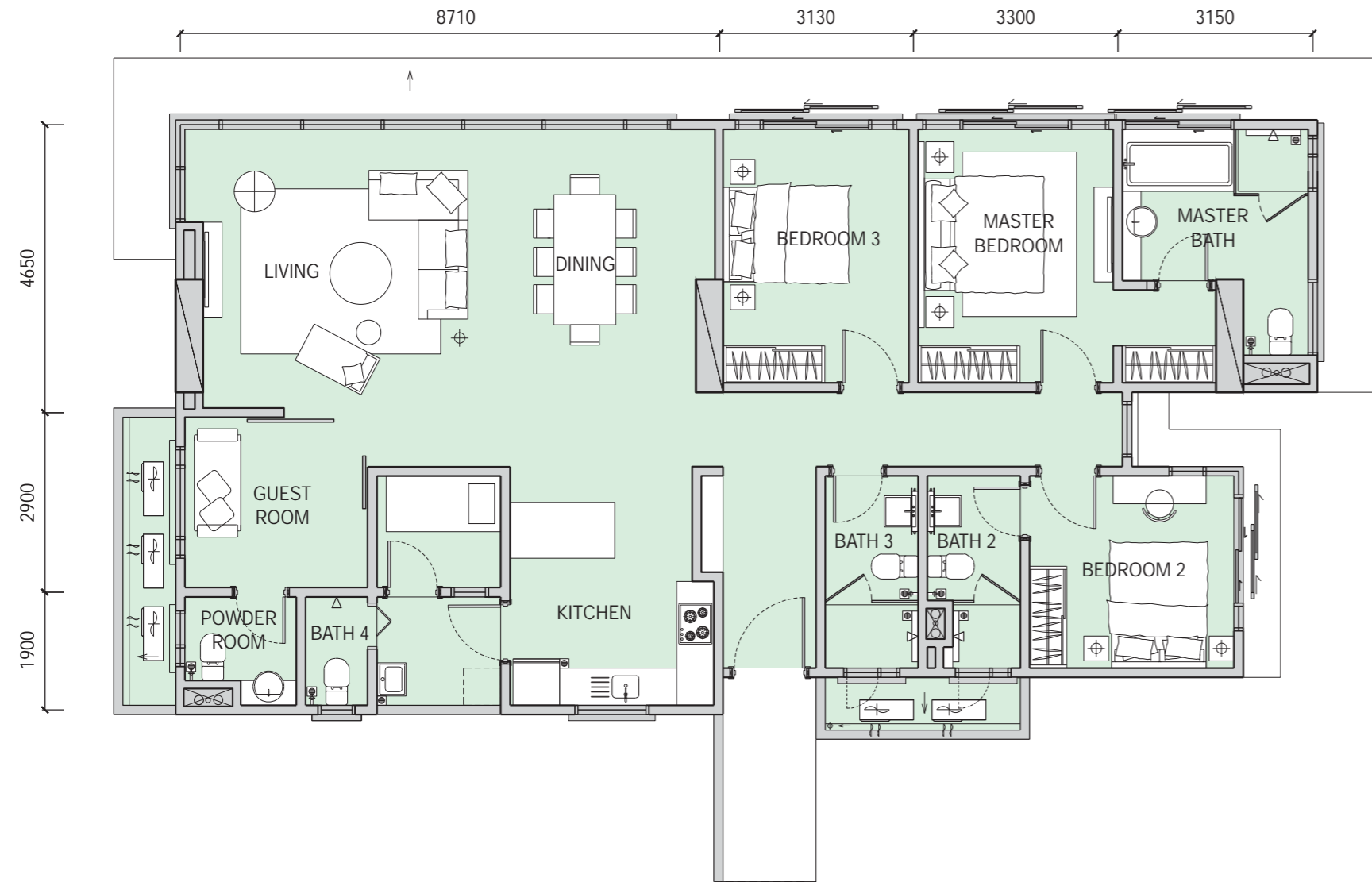
TYPE C1 (3 BEDROOMS)
126sq m (1356 sq ft)



Note:
Tower A - Unit 5 : level 06-15
Unit 6 : level 23A-33
Tower B - Unit 6 : level 11-20

TYPE D (4 BEDROOMS)

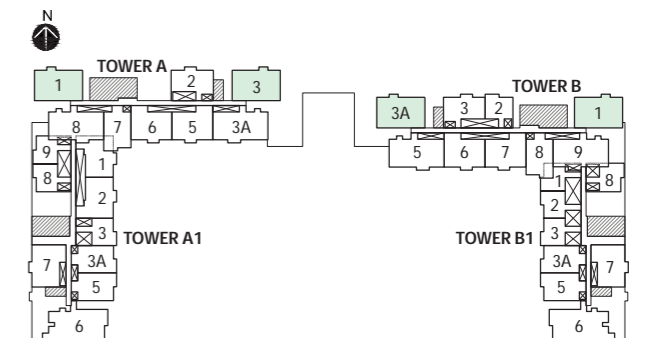
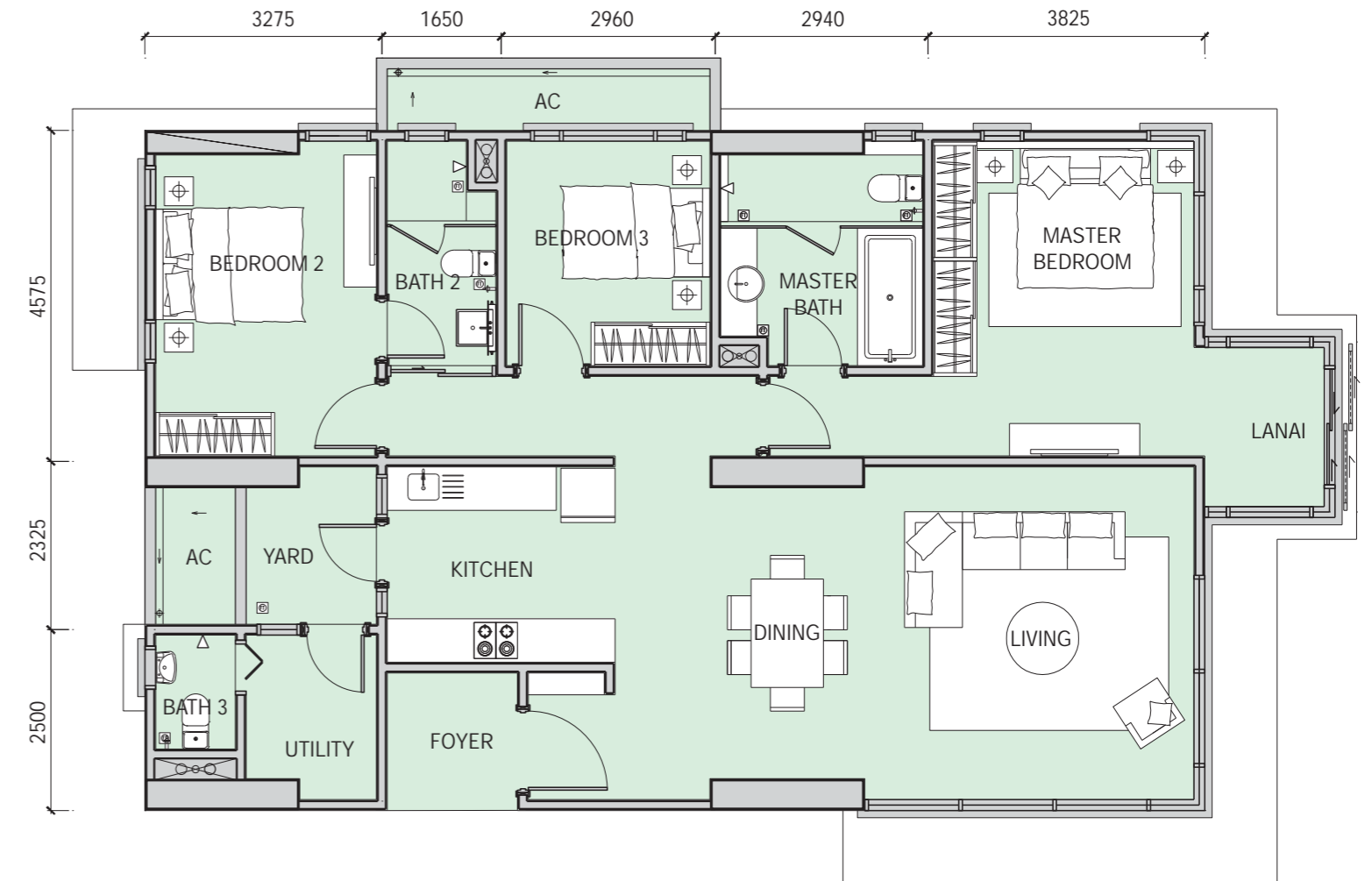
164 sq m (1765 sq ft)



Note:
Tower A1 - Unit 6 : level 01-38
Tower B1 - Unit 6 : level 01-27

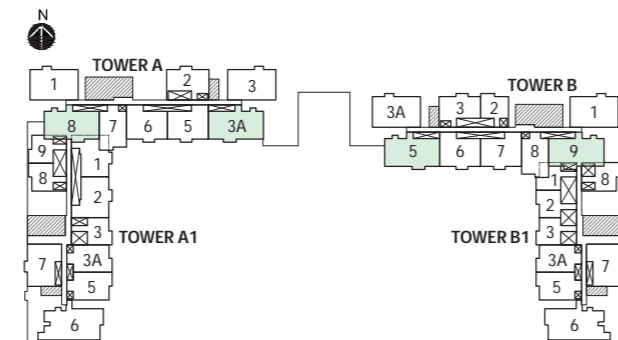
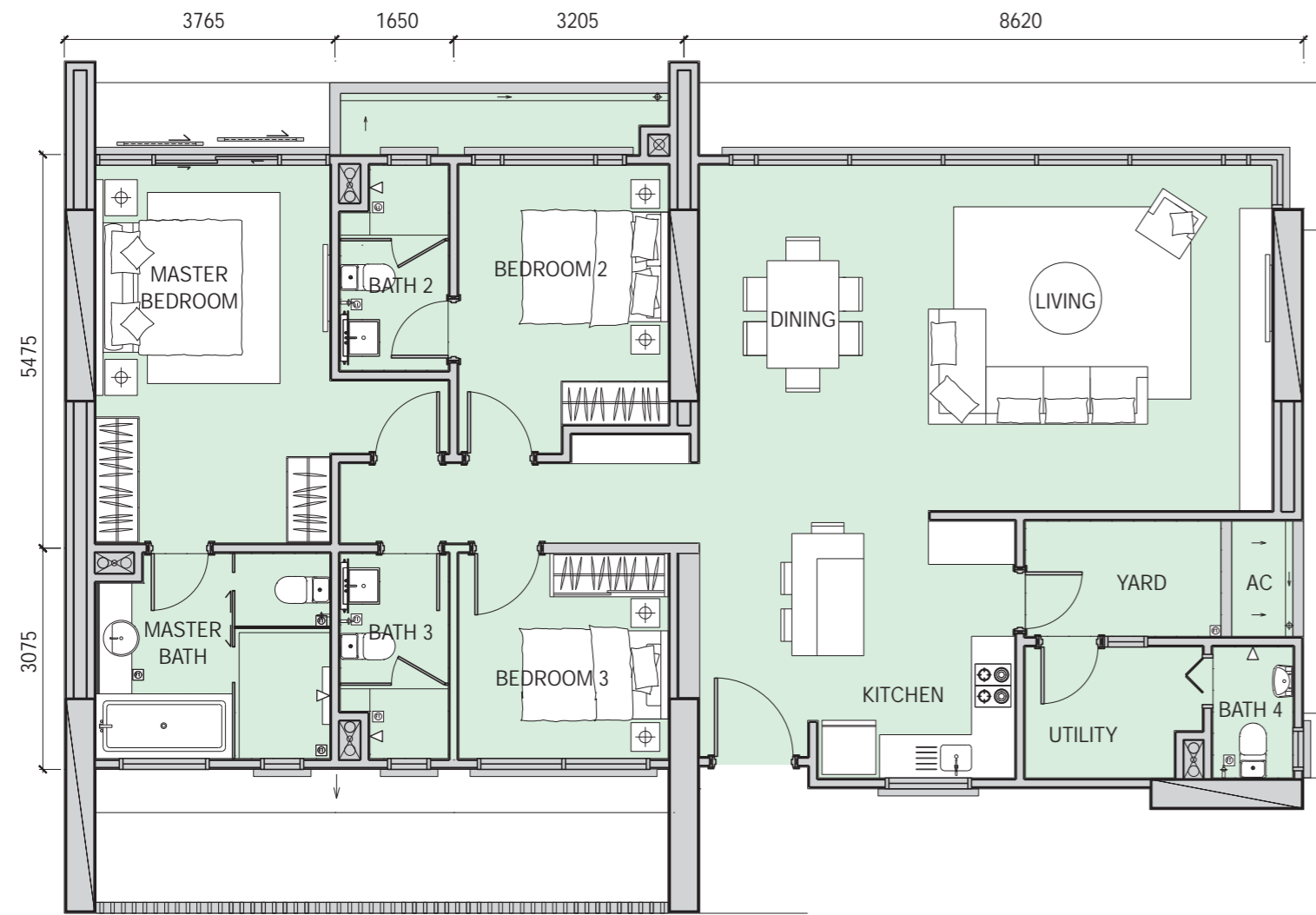
TYPE E (3 BEDROOMS)

135 sq m (1455 sq ft)



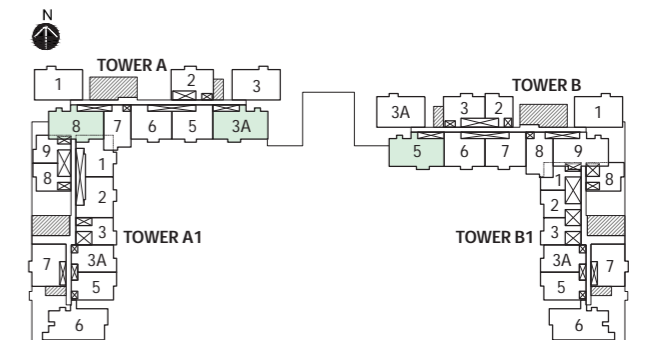
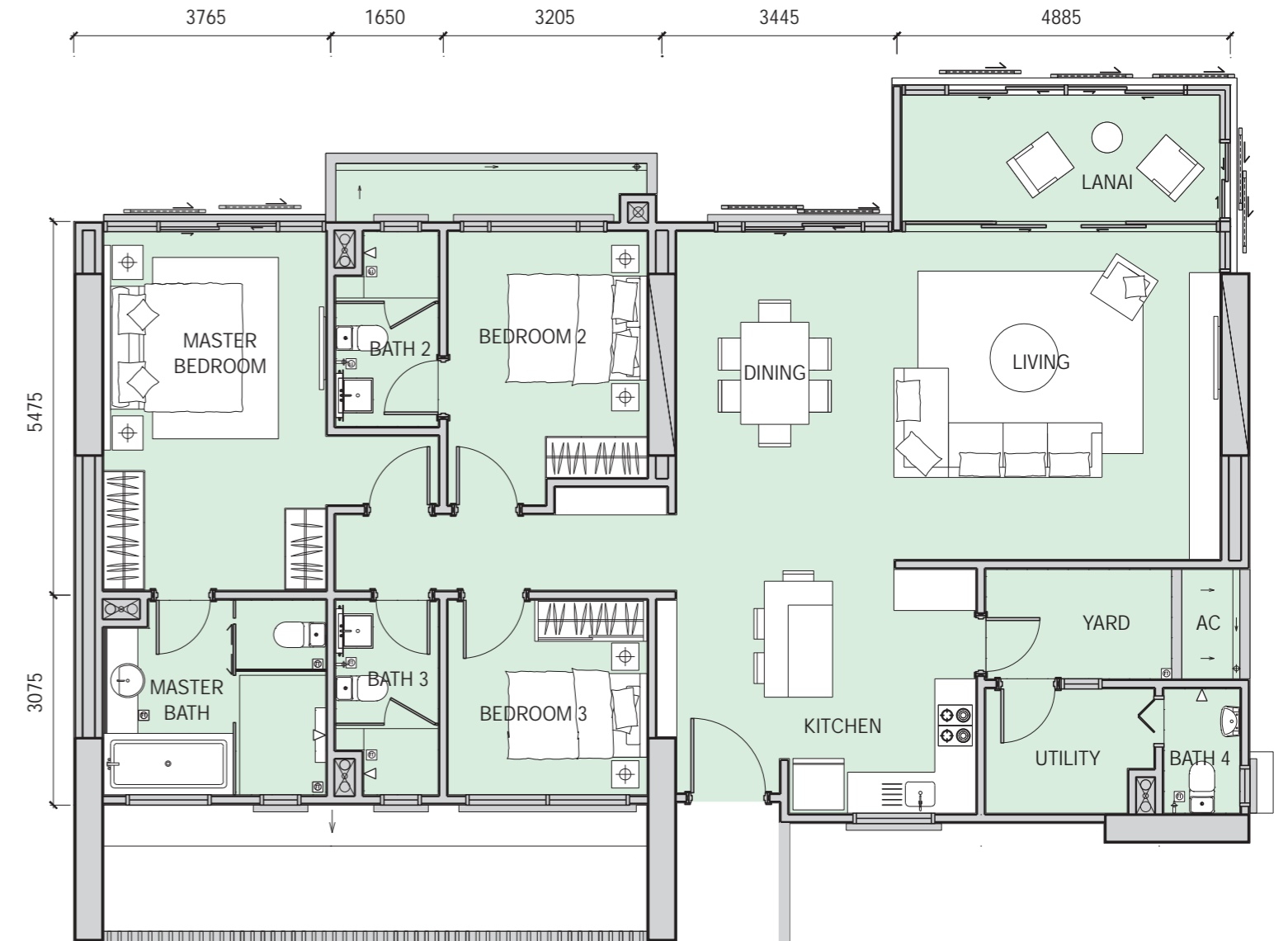
Note:
Tower A - level 01-38
Tower B - level 01-27

TYPE F (3 BEDROOMS)
145 sq m (1561 sq ft)



Note:
Tower A - level 01-05
 - level 16-38
Tower B - level 01-10
 - level 21-27

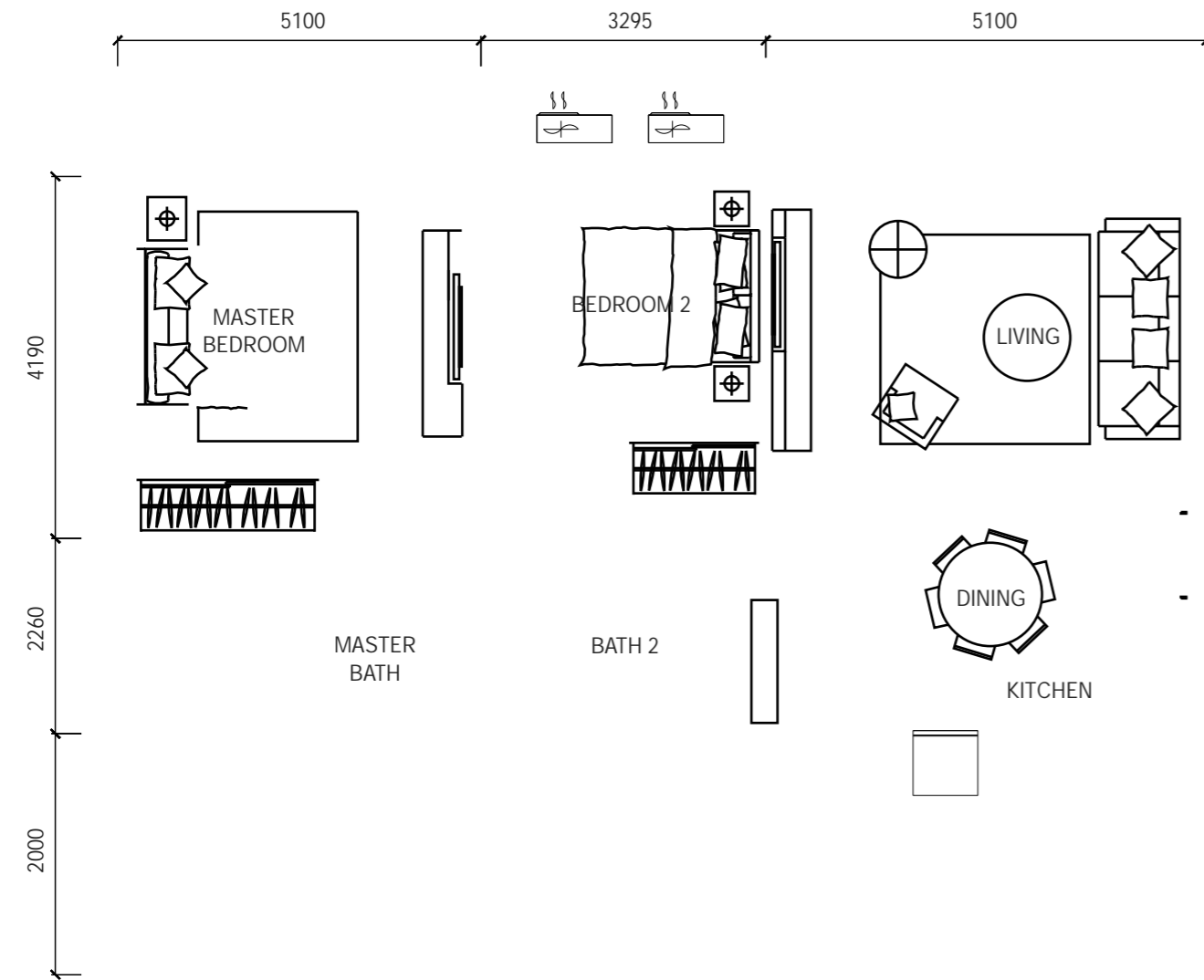
TYPE F1 (3 BEDROOMS)
155 sq m (1668 sq ft)



Note:
Tower A - level 06-15
 - level 23A-33
Tower B - level 11-20

TYPE G (2 BEDROOMS)

88 sq m (947 sq ft)



Note:

- Tower A - Unit 2 : level 01-12
- : level 13A-23
- : level 32-38

